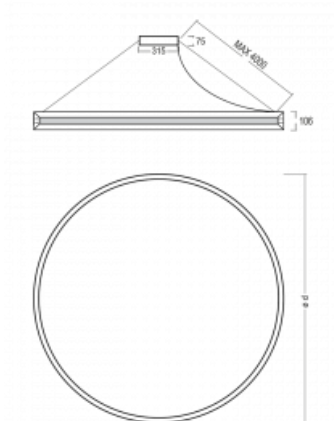



Luminaire

Indi

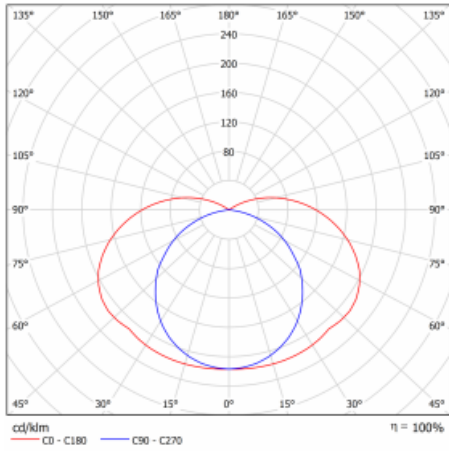
108-511K-47FSD/840, W


When Matúš Opálka closed himself into his study for a month, we were wondering what he would come up with. He designed lighting that gives off a gentle but luxurious effect. The Indi luminaire has received many awards for its appearance. Let's name the three most important ones – Red Dot Award, the iF Design Award and the German Design Award. If you are looking to light up meeting rooms, all kinds of corridors, halls, conference and banquet halls, the Indi is for you.

 Design **Matúš Opálka**
Technical drawing


Type of installation	Suspended
Light distribution	Direct-indirect
Luminaire shape	Circular
Colour of the luminaires	White
Material	Aluminium
Lifetime	L80/B20 50 000 hours
Warranty	60 months
Description of luminaires	Luminaire suspended
Dimensions	ø 1500 mm × 106 mm
Weight	16.5 kg
Light source	LED MODUL
Type of optical system	Opal diffuser
Luminous flux	13710 lm ± 10 %
Colour Temperature	4000 K cool white
Luminous efficacy test	79 lm/W
Colour rendering index	80
UGR max. X=4H Y=8H, ρ=70,50,20	17.6

Curve



Luminaire power input 173.7 W \pm 10 %

Connection of the luminaires DALI dimmable

Electrical voltage 220-240V

Frequency 50-60Hz

  IP 20

Realization



Downloads

Installation instructions



Photos



Accessories



108-0004
Tie-down strap for
INDI circle