



Luminaire

Bent

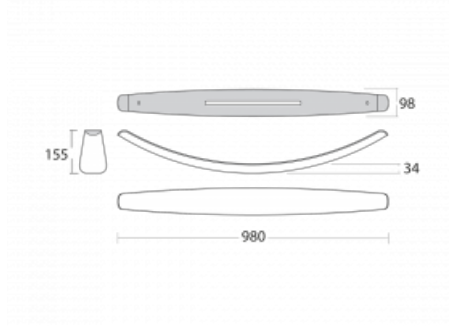
112-501K-10GHD/840, S



Bent is a designer luminaire for all spaces you want to give a fresh, unique air. The lightweight and playful appearance in the shape of a smile in the interior LED lighting was designed by Simona Hrušková. Direct-indirect lighting creates a pleasant atmosphere, whether you are in a café, restaurant, reception or at home.

Design Simona Hrušková

Technical drawing



Type of installation	Suspended
Light distribution	Direct-indirect
Luminaire shape	Rounded
Colour of the luminaires	Silver
Material	Aluminium
Lifetime	L80/B20 50 000 hours
Warranty	60 months
Description of luminaires	Luminaire suspended
Dimensions	980 mm × 98 mm × 34 mm
Weight	3.3 kg
Light source	LED MODUL
Type of optical system	Opal diffuser
Luminous flux	3780 lm ± 10 %
Colour Temperature	4000 K cool white
Luminous efficacy test	120 lm/W
MacAdam Light source	3
Colour rendering index	80
UGR max. X=4H Y=8H, ρ=70,50,20	26.6

Luminaire power input	31.6 W \pm 10 %
Connection of the luminaires	DALI dimmable
Electrical voltage	220-240V
Frequency	50-60Hz

  IP 20

Downloads

Installation instructions



Photos

