



Luminaire

Bent

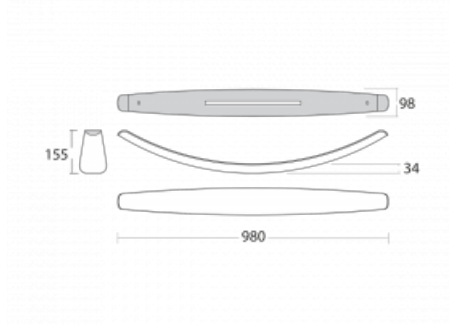
112-501K-10GHE/830, 1021S



Bent is a designer luminaire for all spaces you want to give a fresh, unique air. The lightweight and playful appearance in the shape of a smile in the interior LED lighting was designed by Simona Hrušková. Direct-indirect lighting creates a pleasant atmosphere, whether you are in a café, restaurant, reception or at home.

Design Simona Hrušková

Technical drawing



Type of installation	Suspended
Light distribution	Direct-indirect
Luminaire shape	Rounded
Colour of the luminaires	RAL 1021 - yellow
Material	Aluminium
Lifetime	L80/B20 50 000 hours
Warranty	60 months
Description of luminaires	Luminaire suspended
Dimensions	980 mm × 98 mm × 34 mm
Weight	3.1 kg
Light source	LED MODUL
Type of optical system	Opal diffuser
Luminous flux	3630 lm ± 10 %
Colour Temperature	3000 K warm white
Luminous efficacy test	115 lm/W
MacAdam Light source	3
Colour rendering index	80
UGR max. X=4H Y=8H, ρ=70,50,20	26.5

Luminaire power input 31.6 W \pm 10 %

Connection of the luminaires Electronic ballast non-dimmable

Electrical voltage 220-240V

Frequency 50-60Hz

 **CE** IP 20

