

Luminaire

Sant-S

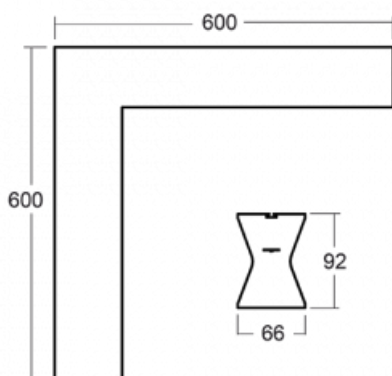
132-520K-20GFQ/TC, W



The Dutch designer Rob van Beek imbued this LED linear luminaire with an opal diffuser with a universal visage. In the Czech Republic, Sant-S was specially made for LED sources and Human Centric Lighting technology. In practice, it looks like the light changes intensity and color temperature according to biological rhythms. People thus feel natural in closed spaces, because the lighting simulates daylight. If you are looking for system linear lights for an office, school or hospital, you've just found it.

Design Rob van Beek

Technical drawing



Type of installation	Surface, Wall mounted, Suspended
Light distribution	Direct-indirect
Luminaire shape	Corner
Colour of the luminaires	White
Material	Aluminium
Lifetime	L80/B20 50 000 hours
Warranty	60 months
Description of luminaires	Luminaire surface/wall mounted/suspended
Dimensions	603 mm × 603 mm × 92 mm
Weight	3.4 kg
Light source	LED MODUL
Type of optical system	Opal diffuser
Luminous flux	2680 lm ± 10 %
Colour Temperature	2700 K - 6500 K Tunable White
Luminous efficacy test	90 lm/W
MacAdam Light source	3
Colour rendering index	80
UGR max. X=4H Y=8H, ρ=70,50,20	22.4

Curve



Luminaire power input 29.9 W \pm 10 %

Connection of the luminaires DALI DT8

Electrical voltage 220-240V

Frequency 50-60Hz

  IP 20

Downloads

Installation instructions



Photos



Accessories


00-00300, N
wire suspension
2000mm



00-00301, N
wire suspension
4000mm



00-00302, N
wire suspension
6000mm



00-00350, K
cable 3x0,75 1000mm



00-00351, K
cable 4x0,75 1000mm



00-00352, K
cable 3x0,75 2000mm



00-00353, K
cable 4x0,75 2000mm



00-00354, K
cable 5x0,75 1000mm



00-00355, K
cable 5x0,75 2000mm



00-00370, W
ceiling cup 80x80x32mm



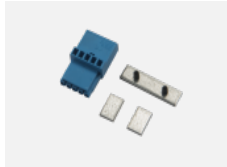
00-00600, F
ceiling fastening for
luminaires 132-5xxK,
04-2000x, 05-2000x,
09-200x - 1 piece



132-50031, W
pendant profile 1000
mm



132-50100, W
end cap



132-50201, F
straight connector (for
dimmable lum.)



132-51100, K
diffuser 2295 mm