
Luminaire

Sant-S

132S-520K-20GFQ/TC, W

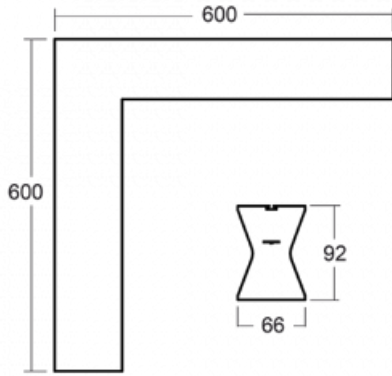


The Dutch designer Rob van Beek imbued this LED linear luminaire with an opal diffuser with a universal visage. In the Czech Republic, Sant-S was specially made for LED sources and Human Centric Lighting technology. In practice, it looks like the light changes intensity and color temperature according to biological rhythms. People thus feel natural in closed spaces, because the lighting simulates daylight. If you are looking for system linear lights for an office, school or hospital, you've just found it. We've added a high efficiency of up to 150 lm / W and low consumption due to dimmability to the attractive appearance. The direct-indirect light glows nicely, does not blind the eyes and thus induces visual well-being. Using Tunable White technology, you choose a white color temperature from 2700K to 6500K. The luminaire looks great suspended separately as well as in a continuous lighting system. You can suspend, install, or embed in tracks a hundred, or let's not skimp, how 'bout a thousand Sant luminaires.

Design Rob van Beek

Type of installation	Surface, Wall mounted, Suspended
Light distribution	Direct-indirect
Luminaire shape	Corner
Colour of the luminaires	White
Material	Aluminium
Lifetime	L80/B20 50 000 hours
Warranty	60 months
Description of luminaires	Luminaire surface/wall mounted/suspended
Dimensions	603 mm × 603 mm × 92 mm
Weight	3.4 kg
Light source	LED MODUL
Type of optical system	Opal diffuser
Luminous flux	2430 lm ± 10 %
Colour Temperature	2700 K - 6500 K Tunable White
MacAdam Light source	3
Colour rendering index	90
UGR max. X=4H Y=8H, ρ=70,50,20	22.3

Technical drawing



Luminaire power input 29.2 W \pm 10 %

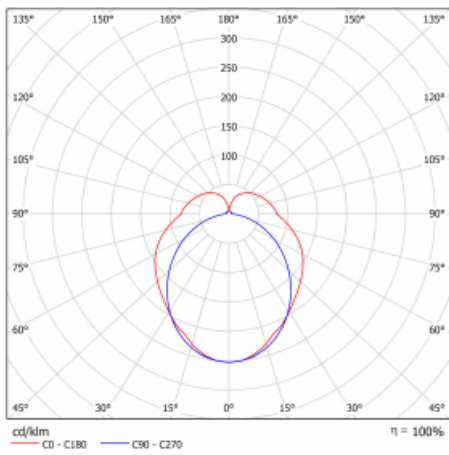
Connection of the luminaires DALI DT8

Electrical voltage 220-240V

Frequency 50-60Hz

⊕ CE IP 20

Curve



Downloads

Installation instructions



Photos



Accessories


00-00300, N
wire suspension
2000mm



00-00301, N
wire suspension
4000mm



00-00302, N
wire suspension
6000mm



00-00350, K
cable 3x0,75 1000mm



00-00351, K
cable 4x0,75 1000mm



00-00352, K
cable 3x0,75 2000mm



00-00353, K
cable 4x0,75 2000mm



00-00354, K
cable 5x0,75 1000mm



00-00355, K
cable 5x0,75 2000mm



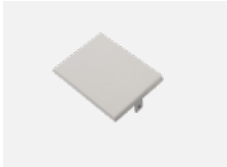
00-00370, W
ceiling cup 80x80x32mm



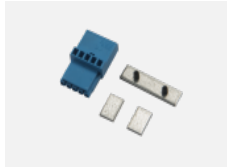
00-00600, F
ceiling fastening for
luminaires 132-5xxK,
04-2000x, 05-2000x,
09-200x - 1 piece



132-50031, W
pendant profile 1000
mm



132-50100, W
end cap



132-50201, F
straight connector (for
dimmable lum.)



132-51100, K
diffuser 2295 mm