



## Luminaire

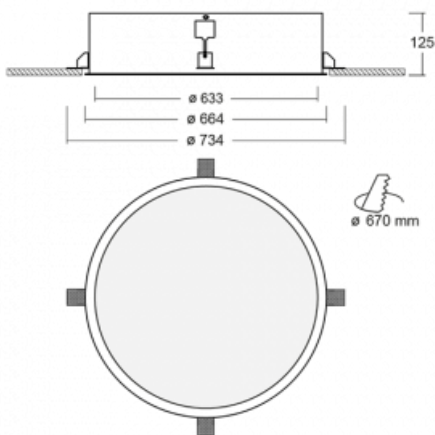
# Puri

140-062K-10GND/840



We were contemplating about how to achieve total design clarity, and so the family of Puri built-in circular luminaires was built. Choose between the framed and frameless version. Mount it directly into the ceiling without cables or suspending. You can create combinations that best suit the needs of commercial spaces, offices, hotels or corridors using the six luminaire diameters on the ceiling. Puri luminaires merge with interiors and also playfully combine with other round luminaire families.

## Technical drawing



Type of installation	Recessed
Light distribution	Direct
Luminaire shape	Circular
Material	Aluminium
Lifetime	L80/B20 50 000 hours
Warranty	60 months
Description of luminaires	Luminaire recessed
Dimensions	$\varnothing 633$ mm $\times$ 125 mm
Weight	9.7 kg
Light source	LED MODUL
Type of optical system	Opal diffuser
Luminous flux	7100 lm $\pm$ 10 %
Colour Temperature	4000 K cool white
Luminous efficacy test	99 lm/W
MacAdam Light source	3
Colour rendering index	80
UGR max. X=4H Y=8H, $\rho=70,50,20$	20.9

Luminaire power input	71.6 W $\pm$ 10 %
Connection of the luminaires	DALI dimmable
Electrical voltage	220-240V
Frequency	50-60Hz

 **CE** IP 20

## Downloads

Installation instructions



Photos

