



## Luminaire

# Torpi

175-600S-10GIE/840, W



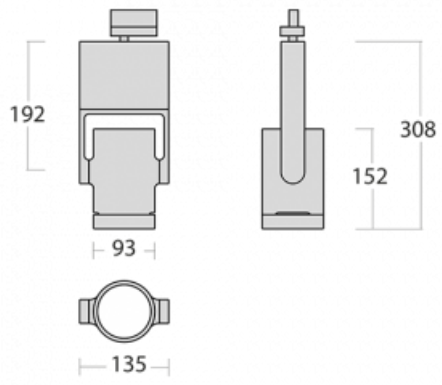
This LED track luminaire with a wide range of uses – for the lighting of specific objects in commercial and public spaces, galleries and showrooms – was created under the baton of Matyáš Kočnar just like the Tulpi luminaire. It also won the Red Dot Award Design Concept 2015 award in the design competition once again. In addition to an exceptional design, the lighting has excellent parameters. Special sources are available in the above-standard equipment. Highly luminous LEDs with a color rendering of  $R_a > 97$  display colors as naturally as real daylight. White objects can be illuminated with RealWhite technology. The Torpi luminaire in a three-phase suspended track looks great everywhere.

Design Matyáš Kočnar

Type of installation	3 circuit track
Light distribution	Direct
Luminaire shape	Circular
Colour of the luminaires	White
Material	Aluminium
Lifetime	L80/B20 50 000 hours
Warranty	60 months
Description of luminaires	Luminaire 3 circuit track
Dimensions	93 mm × 135 mm × 308 mm
Light source	LED MODUL
Type of optical system	Reflector
Luminous flux	4170 lm ± 10 %
Colour Temperature	4000 K cool white
MacAdam Light source	3
Colour rendering index	80
Beam angle	15°
Luminaire power input	38.2 W ± 10 %
Connection of the luminaires	Electronic ballast non-dimmable
Electrical voltage	220-240V
Frequency	50-60Hz



## Technical drawing



## Downloads

Installation instructions



Photos

