



## Luminaire

# Rundo

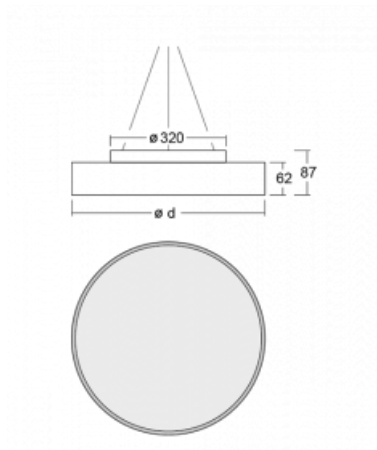
190-561K-10GGE/830, B



Circular luminaires with an aluminium profile come in two heights, 62 mm and 87 mm. Rundo luminaires feature an excellent efficacy of up to 145 lm/W, which can give the space lightness and appeal. The luminaires are pendant or flush-mounted, with direct or direct-indirect distribution of light creating an interesting light halo. A circular luminaire with a PMMA opal diffuser or microprismatic optical system is suitable for both commercial spaces and households. A playful and interesting effect can be created by combining different diameters. Rundo luminaires with a diameter of up to 1150 mm can be equipped with a motion sensor, daylight sensor or Bluetooth technology, which allows easy control of the luminaire from your smart device.

Type of installation	Suspended
Light distribution	Direct-indirect
Luminaire shape	Circular
Colour of the luminaires	Black
Material	Aluminium
Lifetime	L80/B20 50 000 hours
Warranty	60 months
Description of luminaires	Luminaire suspended
Dimensions	ø 600 mm × 62 mm
Weight	6.6 kg
Light source	LED MODUL
Type of optical system	Opal diffuser
Luminous flux	5180 lm ± 10 %
Colour Temperature	3000 K warm white
MacAdam Light source	3
Colour rendering index	80
UGR max. X=4H Y=8H, ρ=70,50,20	20.8

## Technical drawing



Luminaire power input 39.1 W  $\pm$  10 %

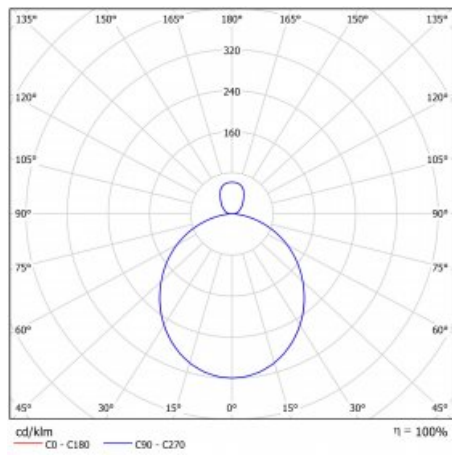
Connection of the luminaires Electronic ballast non-dimmable

Electrical voltage 220-240V

Frequency 50-60Hz

⊕ CE IP 40

## Curve



**Downloads**[Installation instructions](#)[Photos](#)