

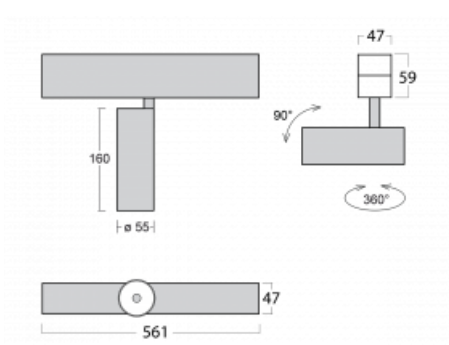

Luminaire

Lina45-S

45S-200U-10GDE/930, W


EPD[®]

The Lina45-S system luminaires with direct or direct-indirect distribution of light are made of aluminium profile and come in a surface or suspended type of mounting. The lower part of the luminaire contains optical components and the upper part contains electrical components as well as the indirect part of the LED light sources. You can buy a version with an optical lens in combination with a plastic louver, which makes the luminaires best suited for offices or spaces with a similarly high demand for an anti-glare solution. We also offer a version with an opal cover or microprismatic optics.

Technical drawing


Type of installation	Suspended
Light distribution	Direct
Luminaire shape	Linear
Colour of the luminaires	White
Material	Aluminium
Lifetime	L80/B20 50 000 hours
Warranty	60 months
Description of luminaires	Luminaire suspended
Dimensions	561 mm × 47 mm × 59 mm
Light source	LED MODUL
Type of optical system	Reflector
Luminous flux	1200 lm ± 10 %
Colour Temperature	3000 K warm white
Luminous efficacy	88 lm/W
MacAdam Light source	3
Colour rendering index	90
Beam angle	27°
UGR max. X=4H Y=8H, $\rho=70,50,20$	20.7

Luminaire power input 13.6 W \pm 10 %

Connection of the luminaires Electronic ballast non-dimmable

Electrical voltage 220-240V

Frequency 50/60Hz

 **CE** IP 20

Downloads

Installation instructions



Photos



Accessories


00-00300, N
wire suspension
2000mm



00-00301, N
wire suspension
4000mm



00-00302, N
wire suspension
6000mm



00-00350, K
cable 3x0,75 1000mm



00-00352, K
cable 3x0,75 2000mm



00-00358, K
cable 3x0,75 4000mm



00-00360, K
cable 3x0,75 6000mm



45-50101, W
2xend cap - metal, 5-
conductor terminal box,
grommet



45-50200, F
straight connector