



Luminaire

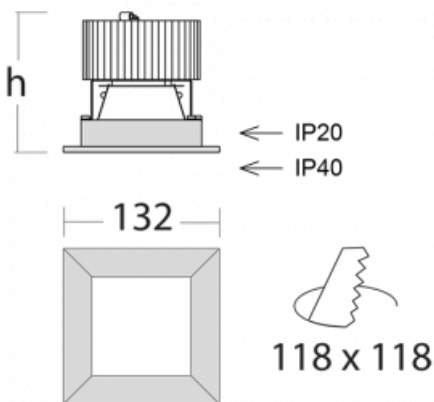
Torve

65-004K-10GHD/840, W



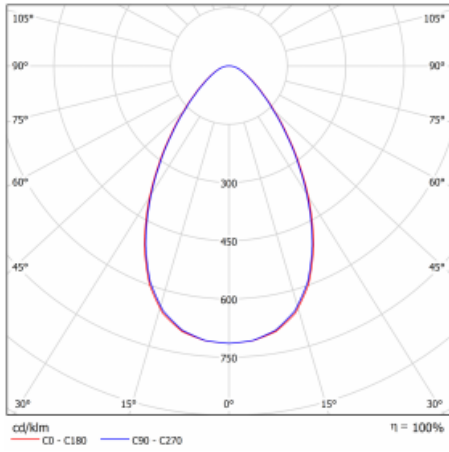
The Torve built-in square luminaire with direct light distribution will fit in elegantly in every type of interior. It comes equipped with a satin diffuser that diffuses light smoothly into a space and creates a pleasant mood. The aluminium frame accents its clean and well-balanced design. We put the latest LED source into the luminaire including the Tunable White technology. You set the chromaticity with it to simulate natural daylight and create visual well-being. Torve luminaires are practically made for business, social and administrative spaces, hotels, car showrooms and households.

Technical drawing



Type of installation	Recessed
Light distribution	Direct
Luminaire shape	Angular
Colour of the luminaires	White
Material	Aluminium
Lifetime	L80/B20 50 000 hours
Warranty	60 months
Description of luminaires	Luminaire recessed
Dimensions	132 mm × 132 mm × 110 mm
Weight	0.91 kg
Light source	LED MODUL
Type of optical system	Opal diffuser
Luminous flux	2620 lm ± 10 %
Colour Temperature	4000 K cool white
Luminous efficacy test	109 lm/W
MacAdam Light source	3
Colour rendering index	80
UGR max. X=4H Y=8H, ρ=70,50,20	28.7

Curve



Luminaire power input 24 W ± 10 %

Connection of the luminaires DALI dimmable

Electrical voltage 220-240V

Frequency 50-60Hz

☐ CE IP 40

Downloads

Installation instructions



Photos

