



Luminaire

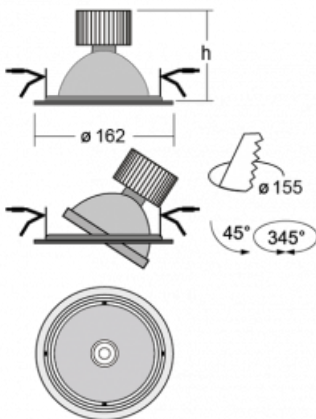
Basi

70-003F-10GDE/830, S



We simply classify the Basi family of luminaires as follows - they have perfect light parameters and contain special sources. The high brightness of the LED with color rendering of $Ra > 80$ or $Ra > 90$ perfectly illuminates the required object. That's why Basi can be used mainly in shopping centers, store-front windows, cultural spaces or car shows. The RealColour technology with color rendering of $Ra > 97$ displays colors as naturally as daylight. StrongColour highlights the desired color and RealWhite illuminates white objects even better. The luminaire is tiltable, if you need to illuminate movable objects, simply direct the luminous flux.

Technical drawing



Type of installation	Recessed
Light distribution	Direct
Luminaire shape	Circular
Colour of the luminaires	Silver
Material	Sheet metal
Lifetime	L80/B10 50 000 hours
Warranty	60 months
Description of luminaires	Luminaire recessed
Dimensions	ø 162 mm × 90 mm
Weight	0.72 kg
Light source	LED MODUL
Type of optical system	Reflector
Luminous flux	1230 lm ± 10 %
Colour Temperature	3000 K warm white
Luminous efficacy test	127 lm/W
MacAdam Light source	3
Colour rendering index	80
Beam angle	41°
UGR max. X=4H Y=8H, $\rho=70,50,20$	13.4

Curve



Luminaire power input 9.7 W \pm 10 %

Connection of the luminaires Electronic ballast non-dimmable

Electrical voltage 220-240V

Frequency 50-60Hz

☐ CE IP 20

Downloads

Installation instructions



Photos

