



Luminaire

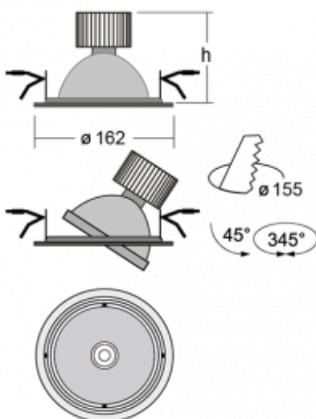
Basi

70-003F-10GDE/830, W



We simply classify the Basi family of luminaires as follows - they have perfect light parameters and contain special sources. The high brightness of the LED with color rendering of $Ra > 80$ or $Ra > 90$ perfectly illuminates the required object. That's why Basi can be used mainly in shopping centers, store-front windows, cultural spaces or car shows. The RealColour technology with color rendering of $Ra > 97$ displays colors as naturally as daylight. StrongColour highlights the desired color and RealWhite illuminates white objects even better. The luminaire is tiltable, if you need to illuminate movable objects, simply direct the luminous flux.

Technical drawing



| | |
|--|-------------------------------------|
| Type of installation | Recessed |
| Light distribution | Direct |
| Luminaire shape | Circular |
| Colour of the luminaires | White |
| Material | Sheet metal |
| Lifetime | L80/B10 50 000 hours |
| Warranty | 60 months |
| Description of luminaires | Luminaire recessed |
| Dimensions | $\varnothing 162$ mm \times 90 mm |
| Weight | 0.72 kg |
| Light source | LED MODUL |
| Type of optical system | Reflector |
| Luminous flux | 1230 lm \pm 10 % |
| Colour Temperature | 3000 K warm white |
| Luminous efficacy test | 127 lm/W |
| MacAdam Light source | 3 |
| Colour rendering index | 80 |
| Beam angle | 41° |
| UGR max. X=4H Y=8H, $\rho=70,50,20$ | 13.4 |

Curve



Luminaire power input 9.7 W ± 10 %

Connection of the luminaires Electronic ballast non-dimmable

Electrical voltage 220-240V

Frequency 50-60Hz

☐ CE IP 20

Downloads

Installation instructions



Photos

