



Luminaire

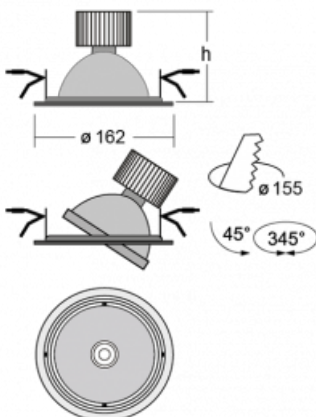
Basi

70-003F-10GDE/840, S



We simply classify the Basi family of luminaires as follows - they have perfect light parameters and contain special sources. The high brightness of the LED with color rendering of $Ra > 80$ or $Ra > 90$ perfectly illuminates the required object. That's why Basi can be used mainly in shopping centers, store-front windows, cultural spaces or car shows.

Technical drawing



Type of installation	Recessed
Light distribution	Direct
Luminaire shape	Circular
Colour of the luminaires	Silver
Material	Sheet metal
Lifetime	L80/B10 50 000 hours
Warranty	60 months
Description of luminaires	Luminaire recessed
Dimensions	ø 162 mm × 90 mm
Weight	0.72 kg
Light source	LED MODUL
Type of optical system	Reflector
Luminous flux	1280 lm ± 10 %
Colour Temperature	4000 K cool white
Luminous efficacy test	132 lm/W
MacAdam Light source	3
Colour rendering index	80
Beam angle	41°
UGR max. X=4H Y=8H, $\rho=70,50,20$	13.6

Curve



Luminaire power input 9.7 W ± 10 %

Connection of the luminaires Electronic ballast non-dimmable

Electrical voltage 220-240V

Frequency 50-60Hz

□ CE  IP 20

Realization



Downloads

Installation instructions



Photos

