

To clarify the needs of your project, consult them with us at [tech.support@halla.cz](mailto:tech.support@halla.cz).

**The control of the luminaire works completely autonomously and can be set by remote control**

### Luminaire functions

#### ON / OFF

- responds to daylight, movement and presence,
- an integrated motion sensor at a height of 3.0 m detects a space with a diameter of 3.5 m,
- automatically turns on the lights when there is insufficient daylight and motion is detected,
- easily adjust lighting levels and lighting dwell times,
- suitable for up to two non-adjustable ballasts.

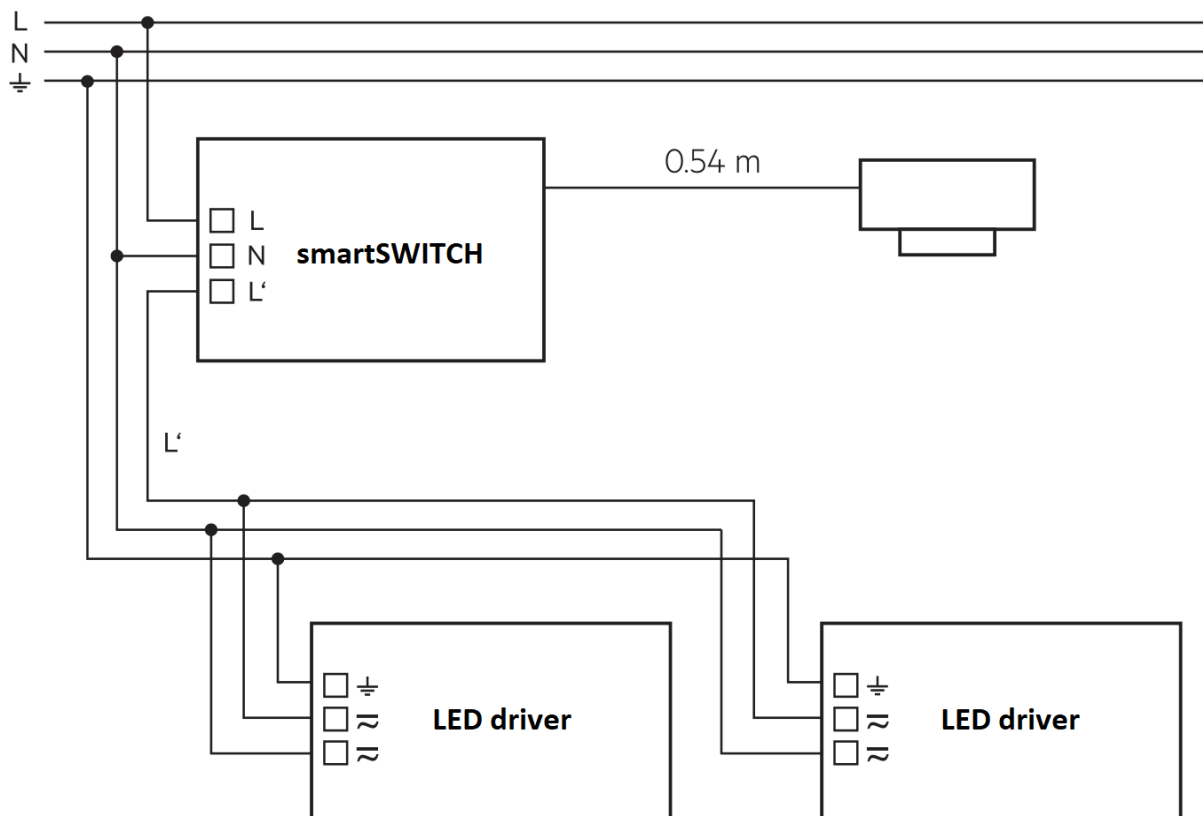


Figure 1: Halla Smart: Luminaires with sensor ON/OFF – wiring diagram

## DALI individual luminaire or DALI luminaire and its subordinate DALI luminaires

- responds to daylight, movement and presence,
- maintains a constant light level,
- the control unit operates completely autonomously,
- allows you to preset the corridor function for corridors,
- the luminaires can be adjusted and controlled with the remote control,
- you can control the luminaires with the push-button: ON / OFF / dim,
- it is possible to control two groups of luminaires up to 5 DALI ballasts (luminaires) per group - one luminaire will be Master and the other Slave,
- it offers two types of remote controls - *user* (ON / OFF / dim / automatic control) and *programming* (comprehensive settings and control),
- the whole group has the same settings - each luminaire cannot be set individually.

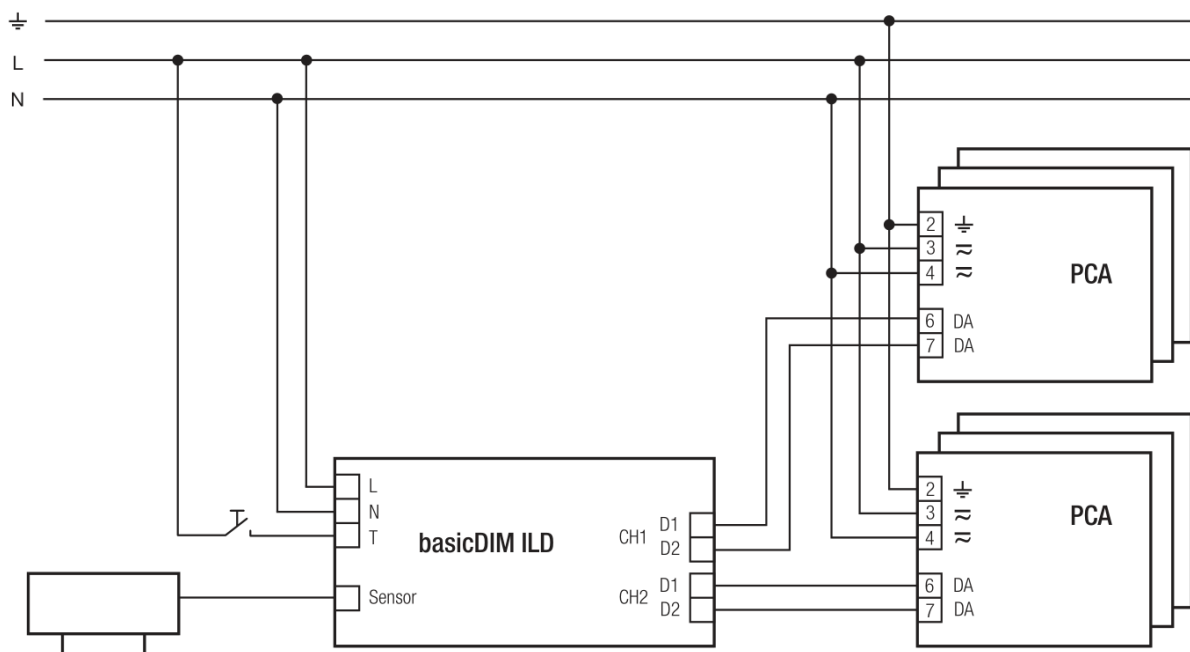


Figure 2: Halla Smart: Dimmable luminaires with sensor – wiring diagram