



## Family

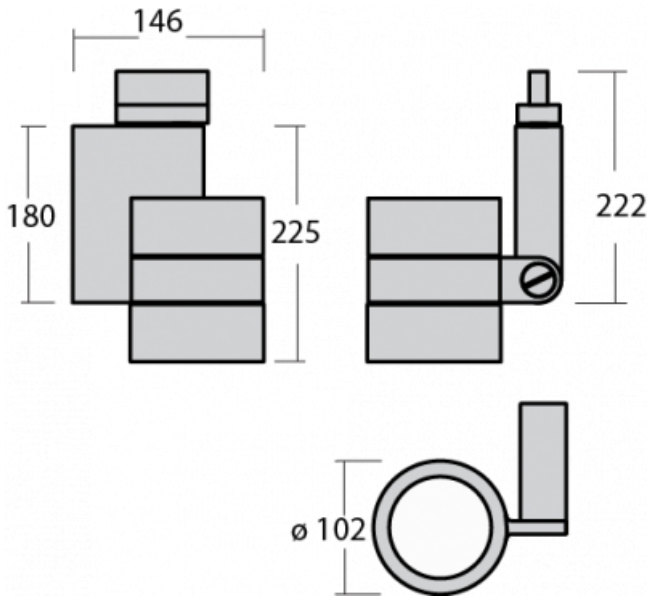
# Ixyo

If there's any light that adapts to your needs, it's the Ixyo. The LED strip luminaire turns 360° and tilts 90°. It also works with varying lighting intensity. Thanks to this flexibility, it is particularly applicable in retail spaces, galleries and showrooms, where the lighting environment needs to be changed for better sales.

Type of installation	3 circuit track
Light distribution	Direct
Colour of the luminaires	Black, Silver, White
Colour Temperature	3000 K warm white, 4000 K cool white, 2700 K - 6500 K Tunable White, 2800 K warm white, 3500 K neutral white, Meat, 3200 K warm white, 4200 K cool white
Material	Aluminium
Light source	LED MODUL
LED type	Strong Colour, Real Colour, Real White, Tunable White
MacAdam Light source	3
Connection of the luminaires	ON/OFF DALI Other type of dimming Tunable white
Lifetime	L80/B20 50 000 hours
Warranty	60 months

## Luminaire family variants Ixyo



**Ixyo**

**Assembly**

**Energy class**


A++, A+, A

**Light distribution**

**Marks**


Code	Dimensions l/w/h (mm)	Power of the luminaire (W)	Luminous flux (lm)	Colour Temperature (K)	UGR
172-600U-10GGE/840, W	∅ 146 × 180	18.1	2220	4000	< 15.9
172-600U-10GHE/840, W	∅ 146 × 180	24.4	2880	4000	< 16.8
172-600U-10GIE/840, W	∅ 146 × 180	36.9	4100	4000	< 18
172-600U-10GJE/840, W	∅ 146 × 180	40.3	4830	4000	< 18.6
172-600U-10GKE/840, W	∅ 146 × 225	50.6	6060	4000	< 19.3

The indicated codes stand for a white luminaire with colour temperature of 4000K and with a medium-wide beam angle.

Notes	Beam angle	14 - 50 °
	Colour of the luminaires	
	Colour Temperature	3000 K warm white 4000 K cool white 2700 K - 6500 K Tunable White 2800 K warm white 3500 K neutral white Meat 3200 K warm white 4200 K cool white
	Optic system	Reflector
	Connection of the luminaires	ON/OFF DALI Other type of dimming Tunable white
	Ra	65 80 90 97

Track luminaires come complete with Global Track adapters from Nordic Aluminium.

## Legend

### Type of installation

Recessed lights	Wall mounted lights
Semi-recessed luminaire	Suspended lights
Surface lights	Free-standing lights
3 circuit track lights	Table lamp lights

### Light distribution

Direct luminaire
Direct-indirect luminaire
Indirect luminaire

### Light source

<b>Tunable White</b> adjusting the color temperature	<b>RealWhite</b> true display of white color
<b>RealColour</b> true display of colors Ra≥97	<b>StrongColour</b> highlight one color

### Marks

Luminaire of electrical classification I (accessible conductive parts are connected to a protective cable)
Luminaire of electrical classification II (accessible conductive parts are connected to a protective cable)
Luminaire of electrical classification III (protection against electric shock is based on double or reinforced insulation)
European mark of conformity that indicates the conformity of the properties of the product with all the harmonized standards and regulations of the European Community that apply to it
Luminaires are certified according to the European ENEC system

Recommended mounting hole size

**IPxy** IP code indicating the degree of protection of live parts

**EARC** Eurasian Conformity

### 09-501I-20GGE/840, W

09-501I-20GGE/840, W

09-501I-20GGE/840, W

09-501I-20GGE/840, W

Optic system

Electrical connection

Colour

### Optic system

C	Clear cover	L	Plain aluminium reflector
D	Asymmetric reflector	M	Matt parabolic louvre
E	Polished parabolic louvre, high LOR	S	SPOT - narrow angle
F	FLOOD - wide angle	U	MEDIUM - middle angle
I	Microprismatic optical system	W	Wide beam angle
K	Opal diffuser		

### Electrical connection

D	DALI dimmable	P	Sensor and electronic ballast
E	Electronic ballast non-dimmable	T	By switch dimmable (touch dimm)
M	Electronic ballast non-dimmable with 1h emergency	TD	DALI or by switch (touch dimm) dimmable
M3	Electronic ballast non-dimmable with 3h emergency	U	Dimmable luminaire with dimmer on the luminaire

### Colour

W	White	B	Black	S	Silver
1021	RAL 1021	3000	RAL 3000	6021	RAL 6021
7006	RAL 7006	7045	RAL 7045		