

Type of installation	Surface, Wall mounted, Suspended
Light distribution	Direct, Direct-indirect
Colour of the luminaires	Black, Silver, White
Colour Temperature	3000 K warm white, 4000 K cool white, 2700 K - 6500 K Tunable White
Material	Aluminium
Light source	LED MODUL
LED type	Tunable White
MacAdam Light source	3
Connection of the luminaires	ON/OFF DALI Other type of dimming Tunable white
Lifetime	L80/B20 50 000 hours
Warranty	60 months

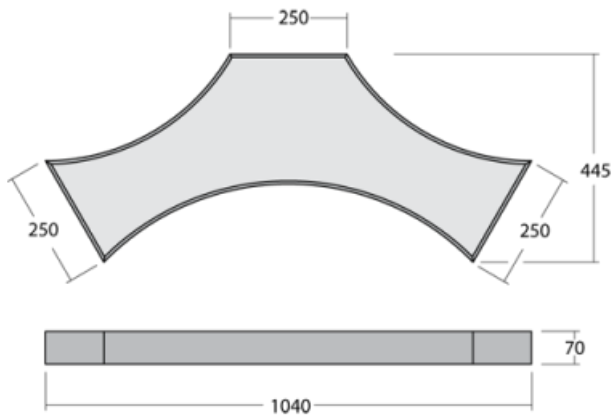
Family

Mila-S

None of this would have been possible without the latest LED technology, which is hidden inside aluminum profiles in white, black or silver. The hidden light source does not create shadows. Thanks to the possibility of dimming, the luminaire is great for showrooms, offices and a variety of representative spaces. Even the naming of this lighting system is perfectly thought out, as Mila in Italian means a thousand.

Luminaire family variants Mila-S



Mila-S

Assembly

Light distribution


Energy class

A++, A+, A

Marks


Code	Dimensions l/w/h (mm)	Power of the luminaire (W)	Luminous flux (lm)	Colour Temperature (K)	UGR
101-520K-10GHE/840, W	1040 × 70 × 445	41.4	3350	4000	< 20.1
101-530K-10GHE/840, W	1040 × 70 × 445	44.6	3590	4000	< 18.9
101-521K-10GKE/840, W	1040 × 70 × 445	63.2	4820	4000	< 21.4
101-531K-10GKE/840, W	1040 × 70 × 445	67.8	5430	4000	< 20.4

AnThese codes represent white luminaires with chromaticity temperature 4000K and opal diffuser.

Notes	Colour of the luminaires	
	Colour Temperature	3000 K warm white 4000 K cool white 2700 K - 6500 K Tunable White
	Optic system	Opal diffuser
	Connection of the luminaires	ON/OFF DALI Other type of dimming Tunable white
	Ra	80

Order a power-supply cable and ceiling cups for hanging. To connect into systems, please order the respective number of connecting cables. Please order the respective number of distancing sets for ceiling or wall assembly and for surface mounting.

Legend

Type of installation

Recessed lights	Wall mounted lights
Semi-recessed luminaire	Suspended lights
Surface lights	Free-standing lights
3 circuit track lights	Table lamp lights

Light distribution

Direct luminaire
Direct-indirect luminaire
Indirect luminaire

Light source

Tunable White adjusting the color temperature	RealWhite true display of white color
RealColour true display of colors Ra≥97	StrongColour highlight one color

Marks

Luminaire of electrical classification I (accessible conductive parts are connected to a protective cable)
Luminaire of electrical classification II (accessible conductive parts are connected to a protective cable)
Luminaire of electrical classification III (protection against electric shock is based on double or reinforced insulation)
European mark of conformity that indicates the conformity of the properties of the product with all the harmonized standards and regulations of the European Community that apply to it
Luminaires are certified according to the European ENEC system

Recommended mounting hole size

IPxy IP code indicating the degree of protection of live parts

ERC Eurasian Conformity

09-501I-20GGE/840, W

09-501I-20GGE/840, W	Optic system
09-501I-20GGE/840, W	Electrical connection
09-501I-20GGE/840, W	Colour

Optic system

C	Clear cover	L	Plain aluminium reflector
D	Asymmetric reflector	M	Matt parabolic louvre
E	Polished parabolic louvre, high LOR	S	SPOT - narrow angle
F	FLOOD - wide angle	U	MEDIUM - middle angle
I	Microprismatic optical system	W	Wide beam angle
K	Opal diffuser		

Electrical connection

D	DALI dimmable	P	Sensor and electronic ballast
E	Electronic ballast non-dimmable	T	By switch dimmable (touch dimm)
M	Electronic ballast non-dimmable with 1h emergency	TD	DALI or by switch (touch dimm) dimmable
M3	Electronic ballast non-dimmable with 3h emergency	U	Dimmable luminaire with dimmer on the luminaire

Colour

W	White	B	Black	S	Silver
1021	RAL 1021	3000	RAL 3000	6021	RAL 6021
7006	RAL 7006	7045	RAL 7045		