



Type of installation	Suspended
Light distribution	Direct, Direct-indirect
Colour of the luminaires	Black, Silver, White
Colour Temperature	3000 K warm white, 4000 K cool white
Material	Aluminium
Light source	LED MODUL
MacAdam Light source	3
Connection of the luminaires	ON/OFF DALI DALI + bluetooth
Lifetime	L80/B20 50 000 hours
Warranty	60 months

Family

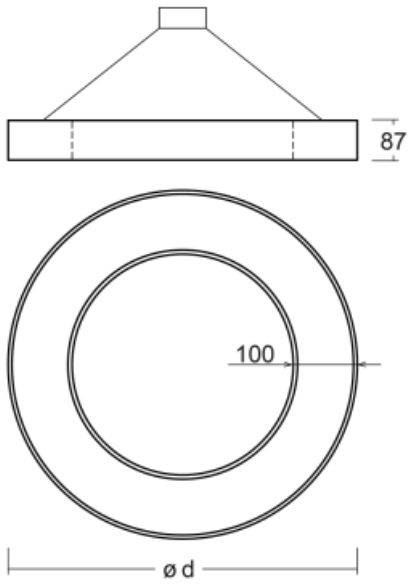
Rotao100

With Rotao designer luminaires, we surrender to the geometric beauty of the ellipse. A circular plan attracts attention. The inner opening also optically lightens commercial, office and home spaces. We placed an LED light source in the luminaire with an efficiency of up to 150 lm / W, which is hidden behind an opal diffuser in an aluminum profile. The profile is treated with baked powder paint in three shades - unobtrusive white, elegant gray and timeless black.

Luminaire family variants Rotao100



Rotao acoustic



Assembly



Light distribution



Energy class

A++, A+, A

Marks



Notes

Colour of the luminaires



Colour Temperature 4000 K cool white

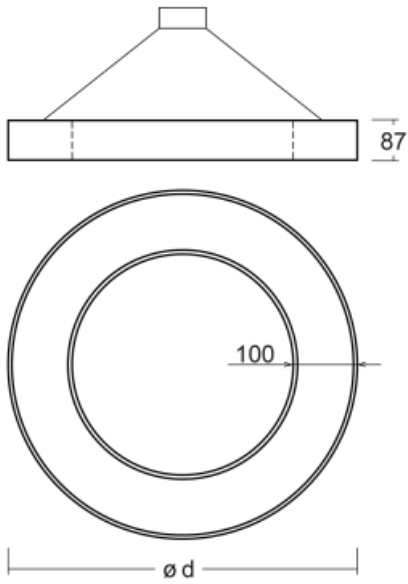
Optic system Microprisma

Connection of the luminaires ON/OFF

Ra 80

Luminaires come complete with all necessary accessories.

Rotao



Assembly



Energy class

A++, A+, A

Light distribution




Marks



Code	Dimensions l/w/h (mm)	Power of the luminaire (W)	Luminous flux (lm)	Colour Temperature (K)	UGR
127-560K-10GEE/840, W	∅ 600 × 87	23.3	2660	4000	-
127-561K-10GEE/840, W	∅ 600 × 87	27.7	3160	4000	-
127-560K-10GGE/840, W	∅ 600 × 87	32.7	3620	4000	-
127-561K-10GGE/840, W	∅ 600 × 87	38.8	4300	4000	-
127-580K-10GEE/840, W	∅ 850 × 87	34.9	4000	4000	-
127-581K-10GEE/840, W	∅ 850 × 87	41.5	4750	4000	-
127-580K-10GGE/840, W	∅ 850 × 87	49	5440	4000	-
127-581K-10GGE/840, W	∅ 850 × 87	58.2	6460	4000	-
127-5B0K-10GEE/840, W	∅ 1200 × 87	46.6	5330	4000	-
127-5B1K-10GEE/840, W	∅ 1200 × 87	55.3	6330	4000	-
127-5B0K-10GGE/840, W	∅ 1200 × 87	65.4	7250	4000	-
127-5B1K-10GGE/840, W	∅ 1200 × 87	77.6	8610	4000	-
127-5C0K-10GEE/840, W	∅ 1500 × 87	61.1	7000	4000	-
127-5C1K-10GEE/840, W	∅ 1500 × 87	69.9	8000	4000	-
127-5C0K-10GGE/840, W	∅ 1500 × 87	85.8	9520	4000	-
127-5C1K-10GGE/840, W	∅ 1500 × 87	98	10880	4000	-

AnThese codes represent white luminaires with chromaticity temperature 4000K and opal diffuser.

Notes	Colour of the luminaires	
	Colour Temperature	3000 K warm white 4000 K cool white
	Optic system	Microprisma Opal diffuser
	Connection of the luminaires	ON/OFF DALI DALI + bluetooth
	Ra	80

Luminaires come complete with all necessary accessories.

Legend

Type of installation

	Recessed lights		Wall mounted lights
	Semi-recessed luminaire		Suspended lights
	Surface lights		Free-standing lights
	3 circuit track lights		Table lamp lights

Light distribution

	Direct luminaire
	Direct-indirect luminaire
	Indirect luminaire

Light source

	Tunable White adjusting the color temperature		RealWhite true display of white color
	RealColour true display of colors Ra≥97		StrongColour highlight one color

Marks

	Luminaire of electrical classification I (accessible conductive parts are connected to a protective cable)
	Luminaire of electrical classification II (accessible conductive parts are connected to a protective cable)
	Luminaire of electrical classification III (protection against electric shock is based on double or reinforced insulation)
	European mark of conformity that indicates the conformity of the properties of the product with all the harmonized standards and regulations of the European Community that apply to it

Luminaires are certified according to the European ENEC system

Recommended mounting hole size

IP xy IP code indicating the degree of protection of live parts

ERC Eurasian Conformity

09-501I-20GGE/840, W

09-501I-20GGE/840, W

09-501I-20GGE/840, W

09-501I-20GGE/840, W

Optic system

Electrical connection

Colour

Optic system

C	Clear cover	L	Plain aluminium reflector
D	Asymmetric reflector	M	Matt parabolic louvre
E	Polished parabolic louvre, high LOR	S	SPOT - narrow angle
F	FLOOD - wide angle	U	MEDIUM - middle angle
I	Microprismatic optical system	W	Wide beam angle
K	Opal diffuser		

Electrical connection

D	DALI dimmable	P	Sensor and electronic ballast
E	Electronic ballast non-dimmable	T	By switch dimmable (touch dimm)
M	Electronic ballast non-dimmable with 1h emergency	TD	DALI or by switch (touch dimm) dimmable
M3	Electronic ballast non-dimmable with 3h emergency	U	Dimmable luminaire with dimmer on the luminaire

Colour

W	White	B	Black	S	Silver
1021	RAL 1021	3000	RAL 3000	6021	RAL 6021
7006	RAL 7006	7045	RAL 7045		