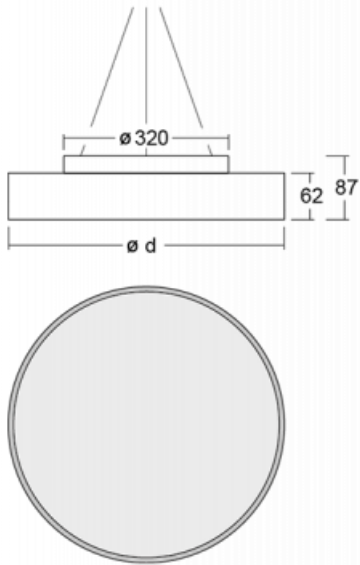

**Family**

# Rundo

Type of installation	Surface, Wall mounted, Suspended
Light distribution	Direct, Direct-indirect
Colour of the luminaires	Black, Silver, White
Colour Temperature	3000 K warm white, 4000 K cool white, 2700 K - 6500 K Tunable White
Material	Aluminium
Light source	LED MODUL
LED type	Tunable White
MacAdam Light source	3
Connection of the luminaires	ON/OFF DALI ON/OFF + 1h emergency ON/OFF + 3h emergency Tunable white
Lifetime	L80/B20 50 000 hours
Warranty	60 months

**Luminaire family variants Rundo**


**Rundo**

**Assembly**

**Light distribution**

**Energy class**

A++, A+, A

**Marks**

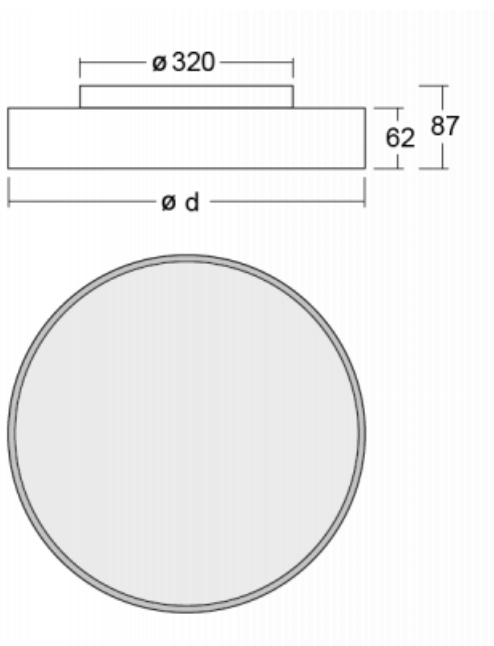

Code	Dimensions l/w/h (mm)	Power of the luminaire (W)	Luminous flux (lm)	Colour Temperature (K)	UGR
190-541K-10GEE/840, W	$\varnothing 400 \times 62$	16	2110	4000	< 19.9
190-540K-10GEE/840, W	$\varnothing 400 \times 62$	17.1	2000	4000	< 22.1
190-541K-10GGE/840, W	$\varnothing 400 \times 62$	27.5	3520	4000	< 21.7
190-540K-10GGE/840, W	$\varnothing 400 \times 62$	30.1	3560	4000	< 24.1
190-551K-10GEE/840, W	$\varnothing 500 \times 62$	29.2	3840	4000	< 20.4
190-550K-10GEE/840, W	$\varnothing 500 \times 62$	29.3	3760	4000	< 22.7
190-550K-10GGE/840, W	$\varnothing 500 \times 62$	44.5	5420	4000	< 23.9
190-551K-10GGE/840, W	$\varnothing 500 \times 62$	44.5	5780	4000	< 21.8
190-561K-10GEE/840, W	$\varnothing 600 \times 62$	23.5	3340	4000	< 19.3
190-560K-10GEE/840, W	$\varnothing 600 \times 62$	30.4	4220	4000	< 21.8
190-561K-10GGE/840, W	$\varnothing 600 \times 62$	39.1	5440	4000	< 21
190-560K-10GGE/840, W	$\varnothing 600 \times 62$	43.2	5880	4000	< 22.9
190-561K-10GHE/840, W	$\varnothing 600 \times 62$	53	7250	4000	< 22
190-560K-10GHE/840, W	$\varnothing 600 \times 62$	53.5	7130	4000	< 23.6
190-581K-10GEE/840, W	$\varnothing 850 \times 62$	47.1	6560	4000	-
190-580K-10GEE/840, W	$\varnothing 850 \times 62$	57.2	7750	4000	< 20.7
190-580K-10GGE/840, W	$\varnothing 850 \times 62$	78.3	10420	4000	< 20.7
190-581K-10GGE/840, W	$\varnothing 850 \times 62$	79.1	10660	4000	-
190-581K-10GHE/840, W	$\varnothing 850 \times 62$	89	11750	4000	-
190-580K-10GHE/840, W	$\varnothing 850 \times 62$	97.2	12680	4000	< 22.9

AnThese codes represent white luminaires with chromaticity temperature 4000K and opal diffuser.

Notes	Colour of the luminaires	● ● ●
	Colour Temperature	3000 K warm white 4000 K cool white 2700 K - 6500 K Tunable White
	Optic system	Microprisma Opal diffuser
	Connection of the luminaires	ON/OFF DALI ON/OFF + 1h emergency ON/OFF + 3h emergency Tunable white
	Ra	80 90

Luminaires come complete with all necessary accessories.

## Rundo



### Assembly



### Energy class

A++, A+, A

### Light distribution




### Marks



Code	Dimensions l/w/h (mm)	Power of the luminaire (W)	Luminous flux (lm)	Colour Temperature (K)	UGR
190-241K-10GEE/840, W	∅ 400 × 62	16	2110	4000	< 19.9
190-240K-10GEE/840, W	∅ 400 × 62	17.1	2000	4000	< 22.1
190-241K-10GGE/840, W	∅ 400 × 62	27.5	3520	4000	< 21.7
190-240K-10GGE/840, W	∅ 400 × 62	30.1	3560	4000	< 24.1
190-251K-10GEE/840, W	∅ 500 × 62	29.2	3840	4000	< 20.4
190-250K-10GEE/840, W	∅ 500 × 62	29.3	3760	4000	< 22.7
190-251K-10GGE/840, W	∅ 500 × 62	44.5	5780	4000	< 21.8
190-250K-10GGE/840, W	∅ 500 × 62	44.5	5420	4000	< 23.9
190-261K-10GEE/840, W	∅ 600 × 62	23.5	3340	4000	< 19.3
190-260K-10GEE/840, W	∅ 600 × 62	30.4	4220	4000	< 21.8
190-261K-10GGE/840, W	∅ 600 × 62	39.1	5440	4000	< 21
190-260K-10GGE/840, W	∅ 600 × 62	43.2	5880	4000	< 22.9
190-261K-10GHE/840, W	∅ 600 × 62	53	7250	4000	< 22
190-260K-10GHE/840, W	∅ 600 × 62	53.5	7130	4000	< 23.6
190-281K-10GEE/840, W	∅ 850 × 62	47.1	6560	4000	-
190-280K-10GEE/840, W	∅ 850 × 62	57.2	7750	4000	< 20.7
190-280K-10GGE/840, W	∅ 850 × 62	78.3	10420	4000	< 20.7
190-281K-10GGE/840, W	∅ 850 × 62	79.1	10660	4000	-
190-281K-10GHE/840, W	∅ 850 × 62	89	11750	4000	-
190-280K-10GHE/840, W	∅ 850 × 62	97.2	12680	4000	< 22.9

AnThese codes represent white luminaires with chromaticity temperature 4000K and opal diffuser.

Notes	Colour of the luminaires	
	Colour Temperature	3000 K warm white 4000 K cool white 2700 K - 6500 K Tunable White
	Optic system	Microprisma Opal diffuser
	Connection of the luminaires	ON/OFF DALI ON/OFF + 1h emergency ON/OFF + 3h emergency Tunable white
	Ra	80 90

Luminaires come complete with all necessary accessories.

## Legend

### Type of installation

Recessed lights	Wall mounted lights
Semi-recessed luminaire	Suspended lights
Surface lights	Free-standing lights
3 circuit track lights	Table lamp lights

### Light distribution

Direct luminaire
Direct-indirect luminaire
Indirect luminaire

### Light source

<b>Tunable White</b> adjusting the color temperature	<b>RealWhite</b> true display of white color
<b>RealColour</b> true display of colors Ra≥97	<b>StrongColour</b> highlight one color

### Marks

Luminaire of electrical classification I (accessible conductive parts are connected to a protective cable)
Luminaire of electrical classification II (accessible conductive parts are connected to a protective cable)
Luminaire of electrical classification III (protection against electric shock is based on double or reinforced insulation)
European mark of conformity that indicates the conformity of the properties of the product with all the harmonized standards and regulations of the European Community that apply to it
Luminaires are certified according to the European ENEC system

Recommended mounting hole size

**IPxy** IP code indicating the degree of protection of live parts

**ERC** Eurasian Conformity

### 09-501I-20GGE/840, W

09-501I-20GGE/840, W

09-501I-20GGE/840, W

09-501I-20GGE/840, W

Optic system

Electrical connection

Colour

### Optic system

<b>C</b> Clear cover	<b>L</b> Plain aluminium reflector
<b>D</b> Asymmetric reflector	<b>M</b> Matt parabolic louvre
<b>E</b> Polished parabolic louvre, high LOR	<b>S</b> SPOT - narrow angle
<b>F</b> FLOOD - wide angle	<b>U</b> MEDIUM - middle angle
<b>I</b> Microprismatic optical system	<b>W</b> Wide beam angle
<b>K</b> Opal diffuser	

### Electrical connection

<b>D</b> DALI dimmable	<b>P</b> Sensor and electronic ballast
<b>E</b> Electronic ballast non-dimmable	<b>T</b> By switch dimmable (touch dimm)
<b>M</b> Electronic ballast non-dimmable with 1h emergency	<b>TD</b> DALI or by switch (touch dimm) dimmable
<b>M3</b> Electronic ballast non-dimmable with 3h emergency	<b>U</b> Dimmable luminaire with dimmer on the luminaire

### Colour

<b>W</b> White	<b>B</b> Black	<b>S</b> Silver
<b>1021</b> RAL 1021	<b>3000</b> RAL 3000	<b>6021</b> RAL 6021
<b>7006</b> RAL 7006	<b>7045</b> RAL 7045	